

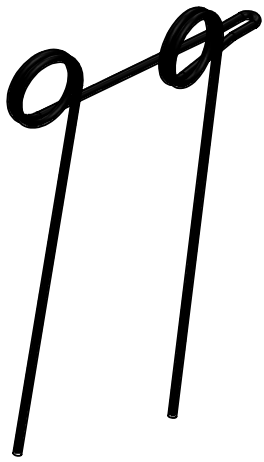
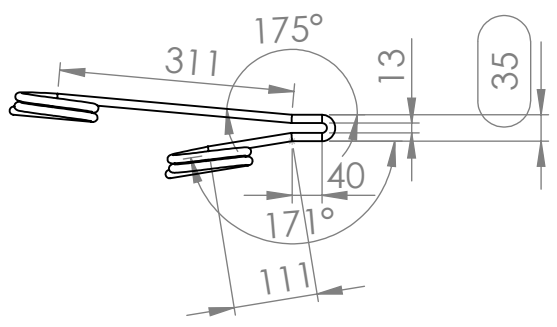
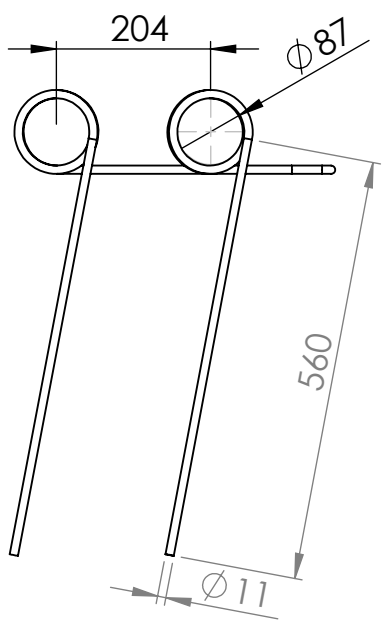
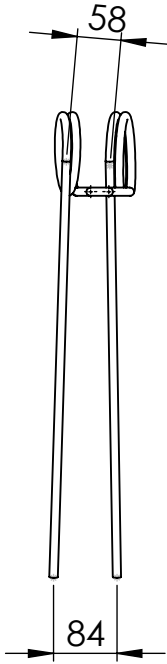
A

B

C

D

E



GENERAL TOL.: ±	MASS: 2.4 kg	DESIGN: C. DROUET	DATE: 09/06/2017
ANGULAR TOL.: ±°	MATERIAL: ACIER RESSORT	SURF.TREAT: RAL. 9005	DATE: 09/06/2017
			ROUGH.: Ra

Dent de herse double ressort

Eco-Dyn
 Vernoux
 49370 Bécon Les Granits
 France
 Tel : +33 2 41 77 46 11
 www.ecodyn.fr

	102218	INDEX: /	SCALE: 1:10	SHEET: 1/1	A4
THIS PLAN IS A PROPERTY OF THE COMPANY ECO-DYN THE UNAUTHORIZED COPY IS NOT PERMITTED.					